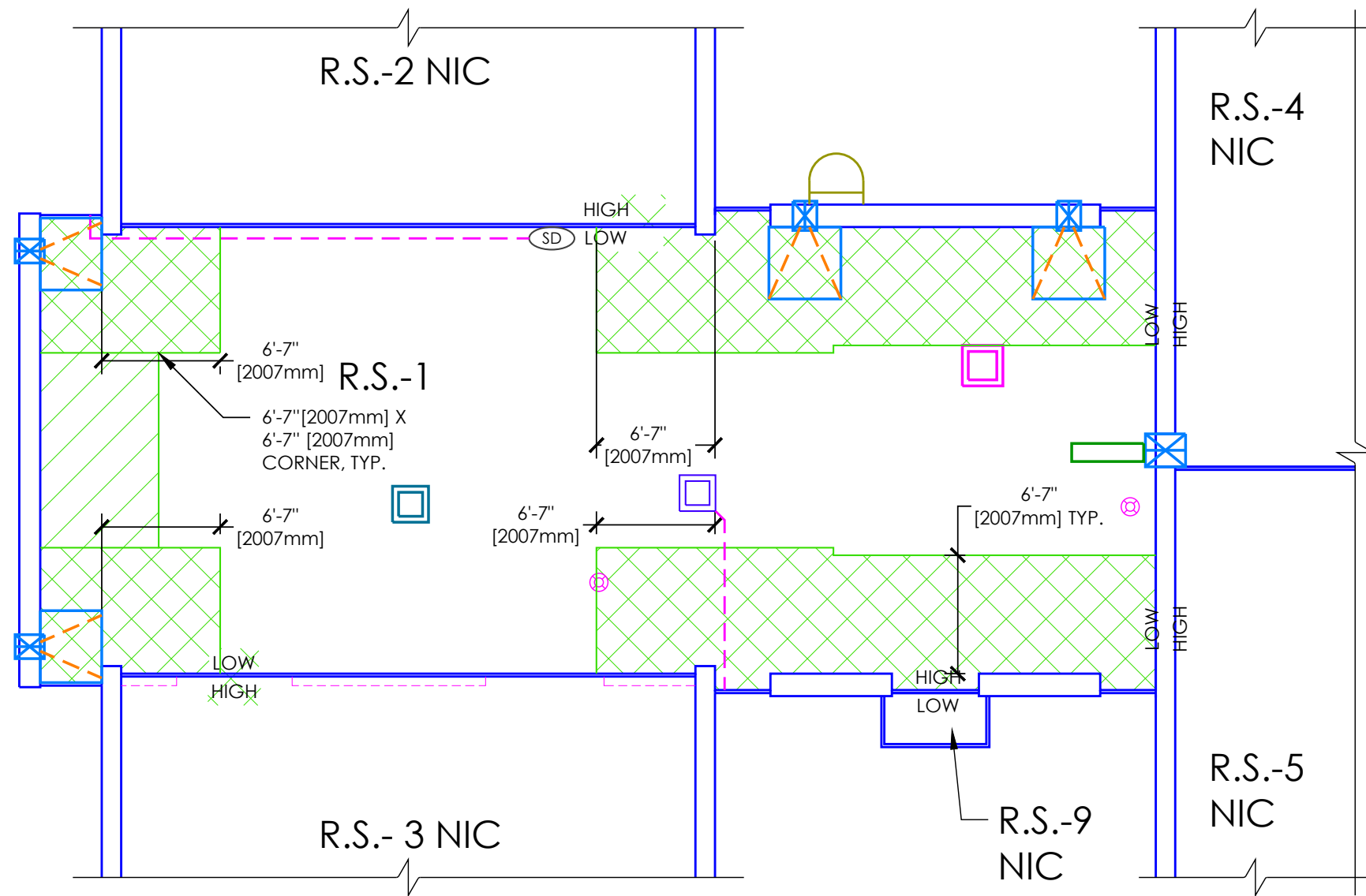
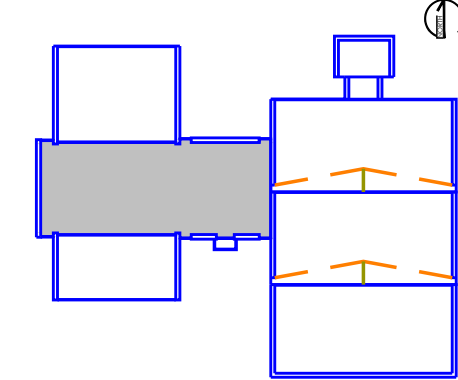


### LEGEND

- ROOF EDGE
- = ROOF PARAPET
- HIGH
- LOW
- LADDER
- WINDOW
- - - CONDUIT
- ⊗ PIPE PENETRATION
- CHIMNEY
- VENT
- AC UNIT
- ⊗ DRAINAGE ROOF SCUPPER
- ⊙ SATELLITE DISH
- SPLASH PAD
- ZONE 1
- ZONE 2
- ZONE 3



### KEY PLAN



RMIS ENGINEERING



389 MAXWELL CRESCENT  
Regina, SK S4N 5X9  
www.rmiseng.ca  
Phone 306.352.4606  
Fax 306.352.4607



FIRE HALL #23  
C.13.MB.35-18.05.03

880 DALHOUSIE DRIVE  
WINNIPEG, MB R3T 2Z9

CITY OF WINNIPEG

4TH FLOOR - 185 KING STREET  
WINNIPEG, MB R3B 1J1

No.	DATE	DESCRIPTION

DESIGNED BY SMC 05/04/2018  
DRAWN BY CJB 05/04/2018  
REVIEWED BY SMC 05/04/2018

ROOF SECTION 1  
FASTENING PLAN

**A 1.04**